

3GFR11 Fiber Optic to SDI Receiver

The 3GFR11 can convert fiber optic to 3G/HD/SD-SDI.



Automatically receives fiber optic signal and convert it to SDI signal.
 Locking DC power plug for safety and continuously power supply and rack-mountable by using provided rack-mount bracket in many ways. Super tough design with aluminum that's perfect for use on location, studio or everywhere you want.

CAUTION

It is highly recommended to read and understand the cautions listed below thoroughly before you start using the product. And if you are unclear with any parts of the cautions or have questions, please contact us.
All operating instructions must be read and understood before the product is used.
 These safety and operating instructions must be kept in a safe place for future reference.
 Do not use any attachments not included with the product or not recommended by the manufacturer.
 This product must be connected to a power source specified on the specification label. If you are not sure of the type of the power supply used at your location, please consult with your dealer or local power company.
 The power cords must be routed properly to prevent heavy weights on top of them from any objects. Check the cords connected to the plugs and product.
 Never insert an object into the product through vents or openings. There is high voltage flow in the product and inserting any objects can cause electric shock and/or short internal parts. For same reason, do not spill water or liquid on the product.
 In any cases, do not attempt to repair the product by yourself. Removing covers can expose you to high voltage and other dangerous conditions. Contact specialized electricians for all repairs.
 Keep the product away from heat sources such as radiators, heaters, stoves and other heat generating products(including amplifiers).
 Allow minimum 10cm gap all around the product for easy install/uninstall.
 If any of the following conditions occurs, unplug the power cord from the AC outlet and request a qualified specialist for repairs.
 When the power cord or plug is damaged. When liquid was spilled on the product or objects have fallen onto the product. When the product has been exposed to rain or water. When the product does not operate properly as described in the operating instructions. Do not touch the controls other than those described in the operating instructions. Improper adjustment of controls not described in the instructions can cause damages, which often requires extensive adjustment work by a qualified technician. When the product has been dropped or damaged.
 When the product displays abnormal condition. Any noticeable abnormality of the product requires service.

Unplug the power cord from the AC outlet before cleaning the product. Use a damp cloth to clean the product. Do not use liquid cleaners or aerosol cleaners.
 Keep the product away from direct Sun light.
 Do not place the product on top of unstable bases such as cart, stand, tripod or table.
 Products may fall resulting in serious personal injuries as well as damages to the product.
 Use only a cart, stand, tripod, bracket or table recommended by the manufacturer or sold with the product.
 When mounting the product on the wall, be sure to follow the manufacturer's instruction.
 Use only the mounting hardware recommended by the manufacturer. The vents and other openings in the cabinet are designed for ventilation. Do not cover or block these vents and openings as insufficient ventilation can cause overheating and/or shorten the life of the product. Do not place the product in a closed place such as a bookcase or rack, unless proper ventilation is provided or the manufacturer's instructions are followed.
 The LCD panel used in this product is made of glass. Therefore, it can break when the product is dropped or exposed to impact.

INFORMATION

Features

Compatible with :	270 Mbit/s, 1485 Mbit/s, 2970 Mbit/s.
DVB-ASI Supports.	
310M Supports.	
SFP Modules LC Connector with PC/UPC Polish.	
Full fiber diagnostics and hot swappable.	

Fiber Optic Input

Number of Outputs	1
Connector	LC with PC/UPC polish
Standard	SMPTE 297 - 2006
Signal Level	Typical -1dBm to -23dBm typical (-18dB@3Gb/s)
Wavelength	1270nm ~ 1610nm

Serial Video Output

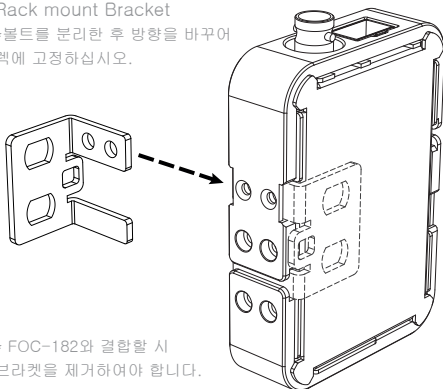
Signal Level	800mV nominal
DC Offset	0V ±0.5V
Rise/Fall Time	200ps nominal
Overshoot	< 10% of amplitude
Return Loss	> 10dB up to 3GHz
Wideband Jitter	< 0.2UI

Miscellaneous and Electrical

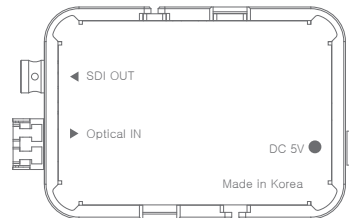
Weight	Approx. 138g
Operating temperature	-0°C to +50°C
Dimensions	88.7mm x 62.4mm x 21.5mm
Voltage	DC +5V
Power	< 10W

Rack mount Bracket

*볼트를 분리한 후 방향을 바꾸어
 랙에 고정하십시오.



* FOC-182와 결합할 시
 브라켓을 제거하여야 합니다.



Fiber Optic Family

SDI Fiber TX, RX

- 3GFT11 SDI to Fiber Optic Transmitter
- 3GFR11 Fiber Optic to SDI Receiver
- 3GFT11D SDI to Dual Fiber Optic Transmitter
- 3GFT11C CWDM SDI to Fiber Optic Transmitter (1271nm ~ 1611nm)

2Ch Digital Audio Fiber TX, RX

- AEST11 AES/EBU to Fiber Optic Transmitter
- AESR11 Fiber Optic to AES/EBU Receiver
- AEST11D AES/EBU to Dual Fiber Optic Transmitter
- AEST11C CWDM AES/EBU to Fiber Optic Transmitter (1271nm ~ 1611nm)

CWDM Multiplexer, Demultiplexer & 2RU Frame

- CWDM9MD1 CWDM 9Ch Multiplexer, Demultiplexer 1271nm ~ 1431nm
- CWDM9MD2 CWDM 9Ch Multiplexer, Demultiplexer 1451nm ~ 1611nm
- FOC-182 18Ch Fiber Optic Converter Frame

